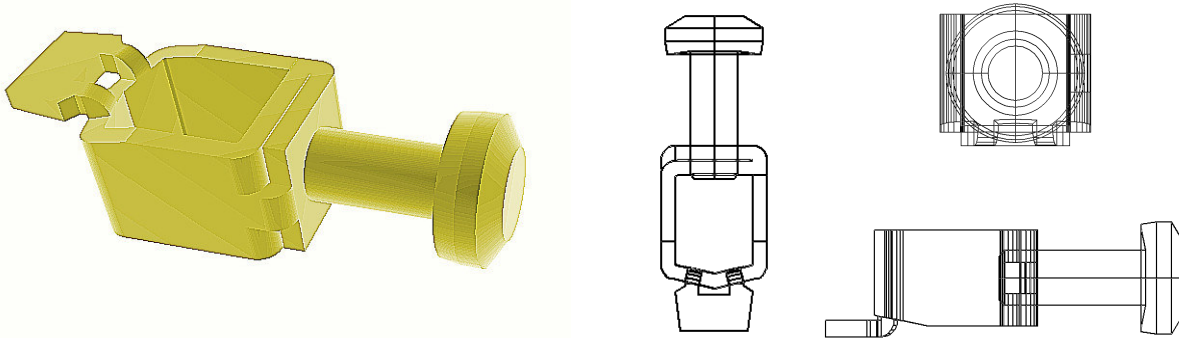


NEW TERMINALS FOR MODULE DEVICES BONEGA® P-E-P AND BONEGA® EV



Our development team cooperates not only with experts but also with final customers. We have realized their suggestions and implemented many innovations into terminals for series BONEGA® P-E-P (MCB, DPN, module bells, bell transformers etc.) and BONEGA® EV (MCB, RCD).

Benefits of the New Design:

- The bottom of the terminal is not flat anymore, but V-shaped. It allows **perfect connection of several conductors even with different cross-sections.**
- Screw head is not flat either, but cylindrical (down to the screw head), which **avoids stretching of the „forks“ on the strip and consequential re-mounting of the strip.**
- The bottom of the screw head has sharp edge that cut into the strip and **avoid its stretching** (our world-unique solution)
- The side of the screw head is slightly skewed, which makes the **connection of fork strip easier.**
- The diameter of the screw head is extended, which **allows connection of even very narrow fork strip.**

We believe these innovations make your work with BONEGA® devices even quicker and easier.